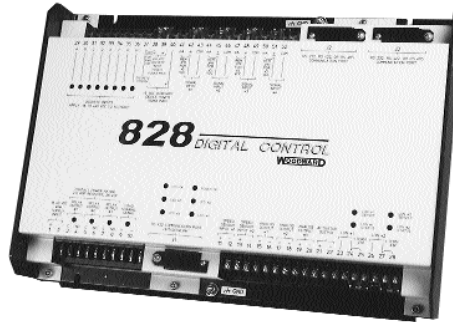


828 Digital Control

Custom Control

Applications

The Woodward 828 Digital Control manages and controls reciprocating engines (gas, diesel, or dual fuel) used in power generation, marine propulsion, and gas compression/distribution. The control may also be used in cogeneration, power transmission/ distribution, process management, pipeline pump stations, utility power generation, emergency standby power, and remote control station operation. The 828 provides state-of-the-art control for new and retrofit situations.



Programming

Your Woodward Distributor provides custom programming for the 828 Digital Control. (Standard preprogrammed versions for power generation, marine, gas engine, mechanical drive, etc. are available on our 723 Plus Digital Control.)

The custom 828 Digital Control can be programmed to meet specific needs for specialized functions in process, plant, engine, and marine applications. The custom versions may be used as unit or engine level controls, or as supervisory controls for such things as sequencing, load shedding, heat recovery management, and system monitoring and alarming.

Communications

The 828 Digital Control provides two separate serial interfaces for RS-232, RS-422, or RS-485 communications. The ports feature standard ASCII character handling or an industry-standard Modbus[®] * protocol (ASCII or RTU). Baud rates are programmable to meet specific user requirements. Devices that may be connected include terminals, printers, data loggers, modems, and any other devices that use RS-232, RS-422, or RS-485. The 828 control can also communicate using the Local Operating Network (LON[®] **) protocol for digital communications. The 828 control's I/O ports may be expanded through LinkNet[®] nodes. Typical LinkNet nodes include thermo-couple, RTD, analog, and discrete type I/O.

Adjustments

Adjustments may be made quickly and easily through the 828 control's standard PC Interface or optional hand held programmer. Both adjustment methods are menu-driven and record all set points.

Self-Diagnostics

The 828 Digital Control has integrated diagnostics to determine the control integrity. Memories, processor, and baseline power supply monitoring are included in the diagnostic tests.

- Configurable for control and monitoring in engine, plant, process, and marine applications
- 32 bit microprocessor
- 3 user-configurable communication ports
- Modbus protocol
- 2 Local Operating Network (LON[™]**) channels
- Digital reference and ramps for speed, temperature, pressure, etc.
- Configurable update time groups—10 to 80 milliseconds
- CSA Certified
- CE Compliant

* Modbus is a trademark of Schneider Automation Inc.

** LON is a trademark of Echelon Corporation.

Specifications

Low Voltage Model	18–40 Vdc (24 or 32 Vdc nominal)
High Voltage Model	90–150 Vdc (125 Vdc nominal)
Power Consumption	40 W nominal
Inrush Current (Low Voltage Model)	7 A for 0.1 ms
Inrush Current (High Voltage Model)	22 A for 15 ms

Inputs

Speed Signal Inputs (2)	
Speed Input Voltage	1.0–50.0 Vrms
Speed Input Frequency	Analog: 400 Hz to 15 kHz; Digital: 30 Hz to 15 kHz
Speed Input Impedance	10 k Ω \pm 15%
	NOTE —EU Directive compliant applications are not currently able to use proximity switches due to the sensitivity of the switches.
Discrete Inputs (8)	
Discrete Input	24 Vdc, 10 mA nominal, 18–40 Vdc range
Response Time	10 ms \pm 15%
Impedance	2.3 k Ω
Analog Inputs (4)	
Analog Input	\pm 5 Vdc or 0–20 mA, transducers externally powered
Common Mode Voltage	\pm 40 Vdc
Common Mode Rejection	0.5% of full scale
Accuracy	0.5% of full scale
Load Sharing Input	
Analog Input	0–4.5 Vdc
Common Mode Voltage	\pm 40 Vdc
Common Mode Rejection	1.0% of full scale
Accuracy	1.0% of full scale

Outputs

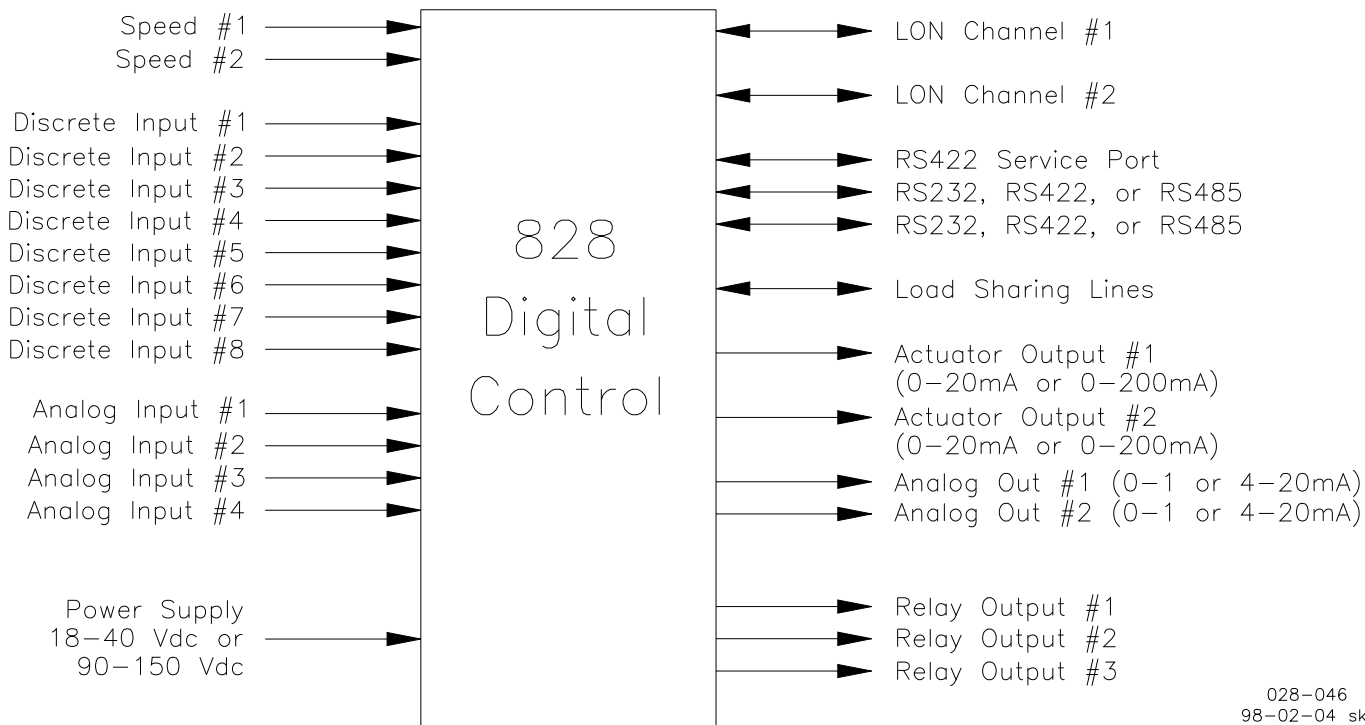
Analog Outputs 0–1 or 4–20 mA (2)	
Analog Output	0–1 mA or 4–20 mA (max. 600 Ω load)
Accuracy	0.5% of full scale
Analog Outputs 0–20 or 0–200 mA (2)	
Analog Output	0–20 mA (max. 600 Ω load) or 0–200 mA (max. 70 Ω load)
Accuracy	0.5% of full scale
Relay Contact Outputs (3)	
Contact Ratings	2.0 A resistive @ 28 Vdc; 0.5 A resistive @ 125 Vdc

Environment

Operating Temperature	–40 to +70 °C (–40 to +158 °F)
Storage Temperature	–55 to +105 °C (–67 to +221 °F)
Humidity	95% at 20 to 55 °C (68 to 131 °F)
	Lloyd's Register of Shipping Specification Humidity Test 1
Mechanical Vibration	Lloyd's Register of Shipping Specification Vibration Test 1
Mechanical Shock	US MIL-STD 801C Method 516.2, Proc. I, II, V
EMI/RFI Specification	Lloyd's Register of Shipping Specification EN 50081-2 and EN 50082-2

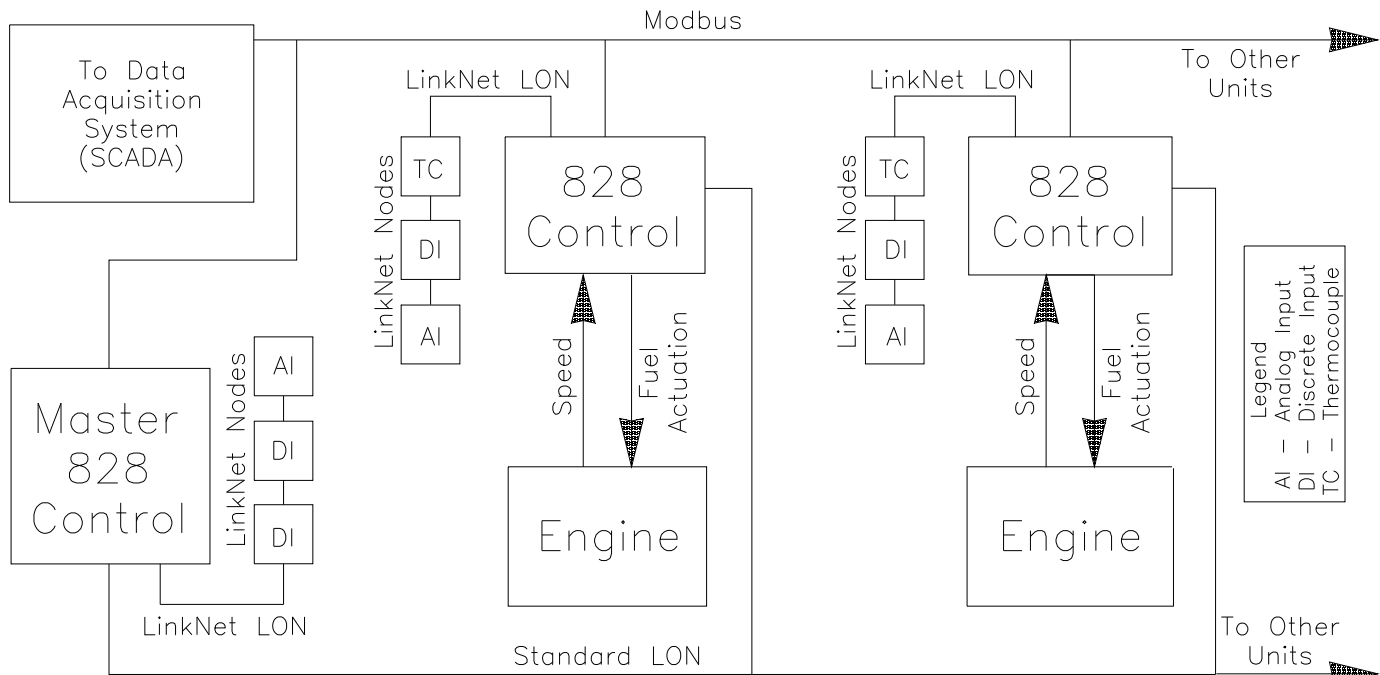
Compliance

CSA Certified	Class I, Division 2, Groups A, B, C, & D
American Bureau of Shipping (ABS)	2007 Steel Vessel Rules 1-1-4/7.7, 4-2-1/7.3, 4-2-1/7.5.1, 4-9-3/17, 4-9-7/13, 4-9-2/11.7 & 4-9-4/23 (Low Voltage Models only)
Bureau Veritas (BV)	Certified for Environmental Category EC Code: 33 Certified for use on AUT-UMS, AUT-CSS, AUT-PORT and AUT-IMS Classed Vessels
Det Norske Veritas (DNV)	Certified for Marine Applications, Temperature Class B, Humidity Class A, Vibration Class B, EMC Class A, and Enclosure Class B per DNV Rules for Ships Pt. 4, Ch. 9 Control and Monitoring Systems and Pt. 4, Ch.'s 2 & 3, Rotating Machinery
Germanischer Lloyd (GL)	Environmental Category C; EMC2 per Type Tests Part 2, Edition 2003: Regulations for the Use of Computer and Computer on Board
Lloyd's Register (LR)	LR Type Approval Test Specification No. 1:1996 for Environmental Categories ENV1, ENV2, and ENV3
Nippon Kaiji Kyokai (NKK)	Rules Ch. 1, Part 7, of Guidance for the approval and Type approval of materials and equipment for marine use and relevant Society's Rules. (Low Voltage Models only)
Registro Italiano Navale (RINA)	RINA Rules for the Classification of Ships – Part C Machinery, Systems and Fire Protection – Ch. 3, Sect. 6, Tab. 1
European Union (EU)	Compliant with EMC Directive 2004/108/EC and Low Voltage Directive 2006/95/EC



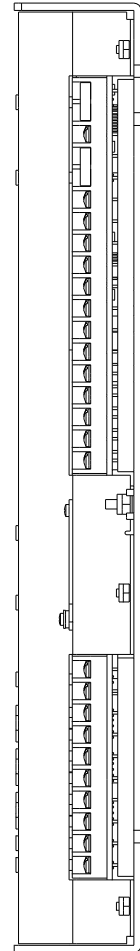
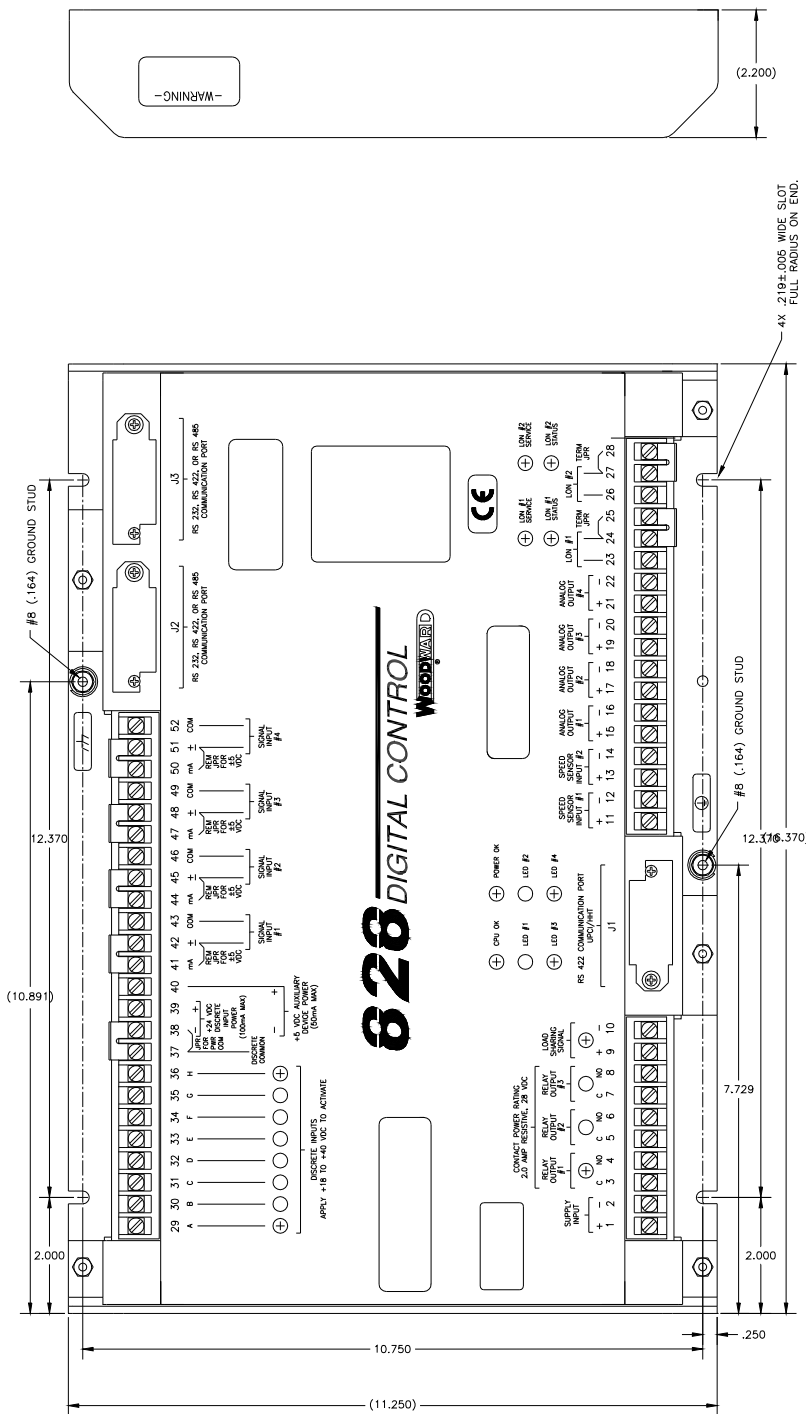
028-046
98-02-04 skw

828 Control Block Diagram



028-048
98-02-03 skw

Typical System Diagram



028-051
04-4-21

828 Control Outline Drawing
(Do not use for construction)



PO Box 1519, Fort Collins CO, USA 80522-1519
1000 East Drake Road, Fort Collins CO 80525
Tel.: +1 (970) 482-5811 ♦ Fax: +1 (970) 498-3058
www.woodward.com

Distributors & Service

Woodward has an international network of distributors and service facilities. For your nearest representative, call the Fort Collins plant or see the Worldwide Directory on our website.

This document is distributed for informational purposes only. It is not to be construed as creating or becoming part of any Woodward contractual or warranty obligation unless expressly stated in a written sales contract.

Copyright © Woodward 1998–2010, All Rights Reserved

For more information contact: